



You're
at home

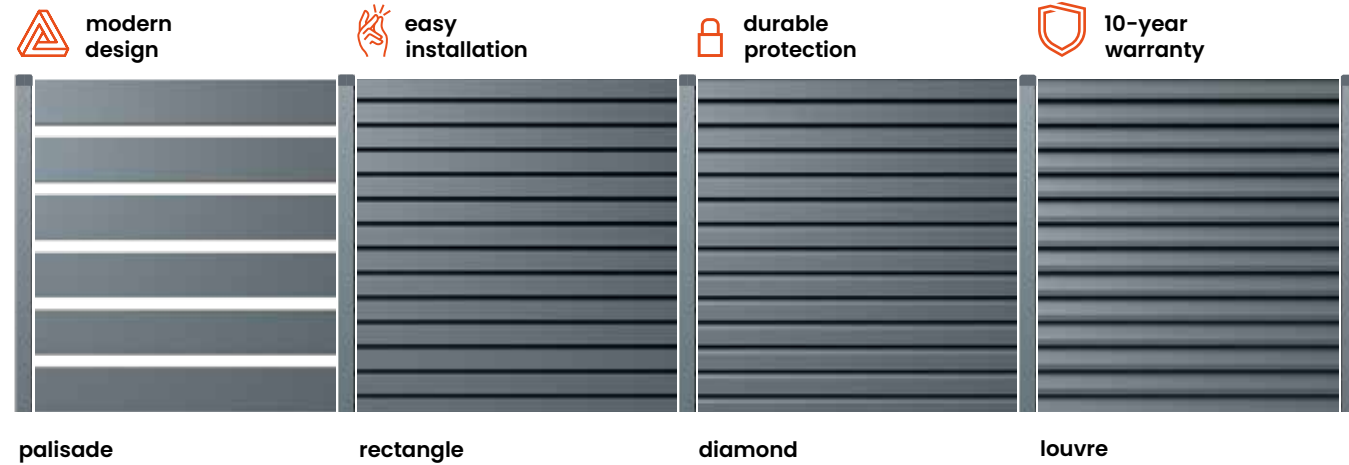
HANBUD

Valor

fencing system
for *smart* builders

Protect your privacy

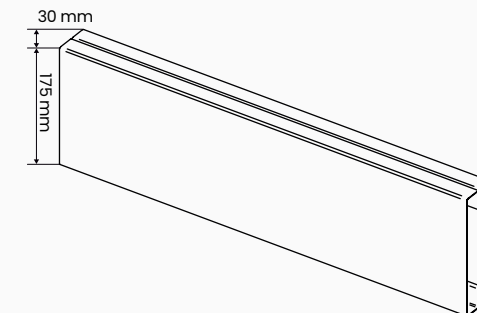
The **Valor® fencing system** is made for those, who value good design, security and privacy. The **Valor®** fencing systems come in four panel slat versions for you to pick a perfect fence for your property.



*The **Valor®** fencing system is a protected intellectual property of **Hanbud** sp. z o.o.

Palisade slat panels

The **Valor®** palisade slat fences are the answer to one of the most popular trends in fencing architecture. A high aesthetic value comes in pair with high durability. The fence panels are made of heavy-duty thickness and strength with a highly durable polymer coating finish. Unlike fences made of black steel, this product requires no represervation or repainting. This way your new fence will stay looking like new for many years to come.



specifications

height	175 mm
depth	30 mm
length*	1950, 2450 mm
thickness	#0,7 mm
colour	grafit
finish	mat

*500-2500 mm available on request

Rectangular slat panels

The **Valor**® rectangular slat panel fences are a perfect fusion of the traditional louvre pattern with a palisade fence. With its simple, minimalist geometry, the fence enthuses a sense of modern styling and great aesthetic appeal. Unlike traditional fences, it provides an excellent barrier against road dust and noise. Another added value is the protection against the prying eyes of neighbours and pedestrians passing by.



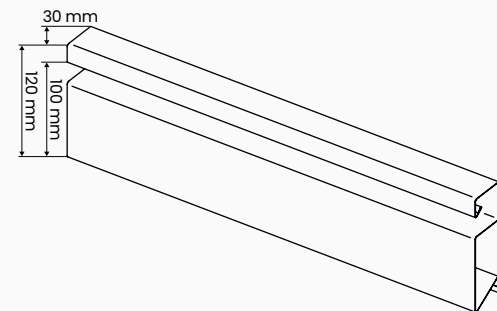
gapless slats



protection against wind and dust



protection against noise



specifications

height	120 mm
module panel height	100 mm
depth	30 mm
length*	1950, 2450 mm
thickness	#0,7 mm
colour & finish	grafit, mat

*500-2500 mm available on request

Diamond slat panels

The **Valor**® diamond slat panel fences meet the demand for merging the advantages of louvre and palisade fences into one product. The slanted slats help the fence panels to shed dust and dirt. There is more: this fence perfectly muffle sound for great protection against noise.



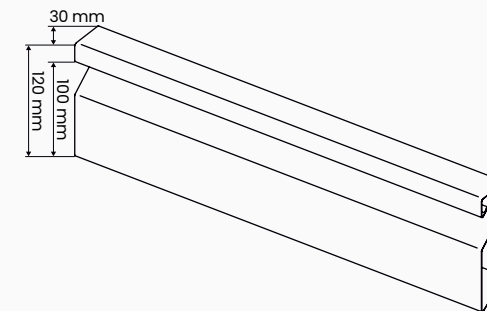
gapless slats



protection against wind and dust



protection against noise



specifications

height	120 mm
module panel height	100
depth	30 mm
length*	1950, 2450 mm
thickness	#0,7 mm
colour & finish	grafit, mat

*500-2500 mm available on request

Louvre slat panels

The **Valor**® louvre slat panel fences are the solution for those who expect maximum performance of noise, dirt, and privacy protection. The slanted geometry goes in perfect harmony with metal fence posts, masonry posts, and gabion baskets. The **Valor**® slanted louvre panels will make the property look great for many years.



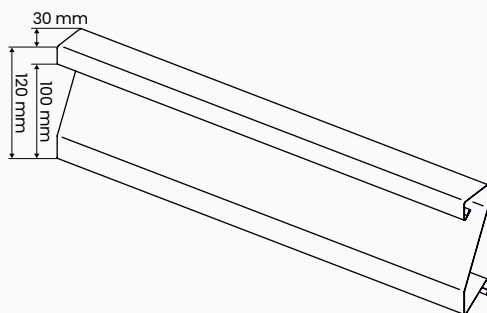
gapless
slats



protection
against wind and dust



protection
against noise



specifications

height	120 mm
module panel height	100 mm
depth	30 mm
length*	1950, 2450 mm
thickness	#0,7 mm
colour & finish	grafit, mat

*500-2500 mm available on request



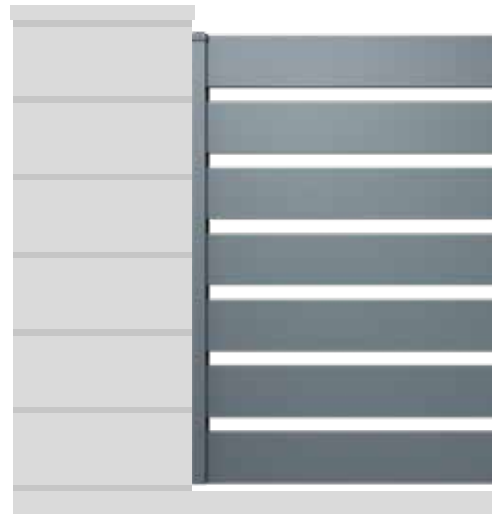
Valor® installation kits

The **Valor®** installation kits allow fastening the fence panels to all types of posts made of masonry units, as well as steel fence posts. The channel posts are stamped specifically for easy assembly and installation. With these kits, fence panels can be installed easily and quickly to already finished posts, which minimises the risk of misalignment errors. The whole fence assembly is finished with decorative sight slats and neat plastic caps.

secure
& convenient



Louvre slat panels



Palisade slat panels

specifications of the Valor® installation kits

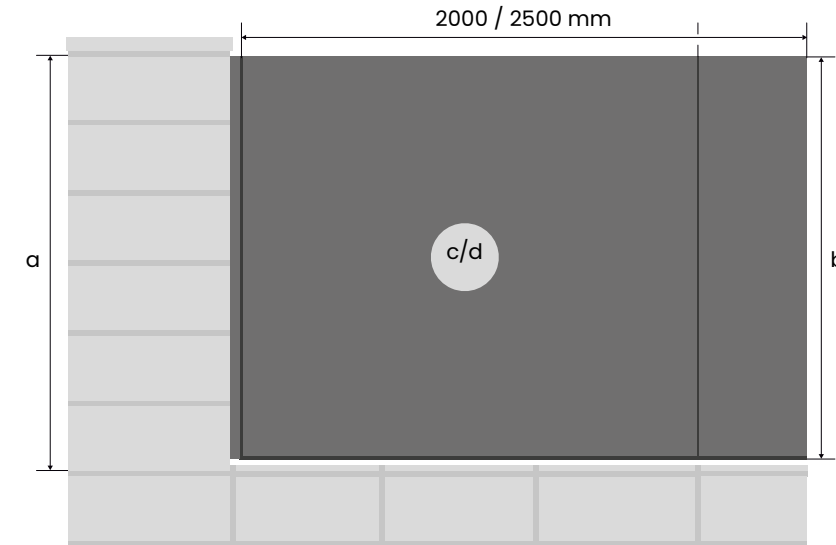
length*	920, 1120, 1220, 1320, 1420, 1520, 1720, 1920 mm
channel profile	50 x 50 mm
sight slat colour	grait
sight slat coating	mat

*the slat length is reduced by 2 mm for installation clearance

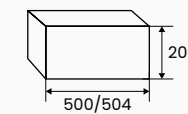


Fitment between masonry fence posts

The **Valor®** fencing system is designed for compatibility with commercial fences. The slat length options available match most of fencing systems which use masonry units. This helps to install the fence quickly and without problems.



masonry units



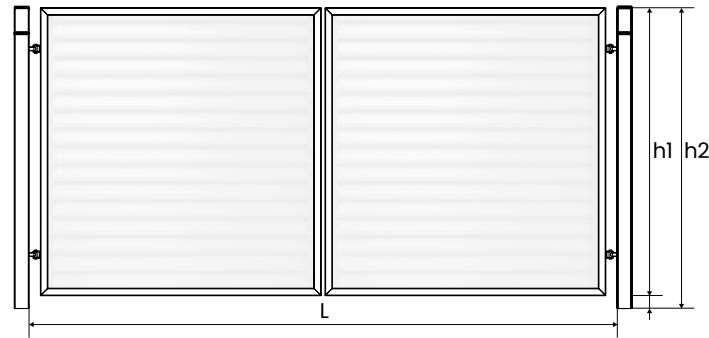
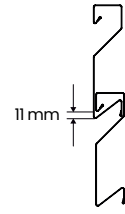
key

- a** - number of post units
- b** - channel post height [mm]
- c** - number of panel slats [pcs.]
- c** - number of palisade slats [pcs.]

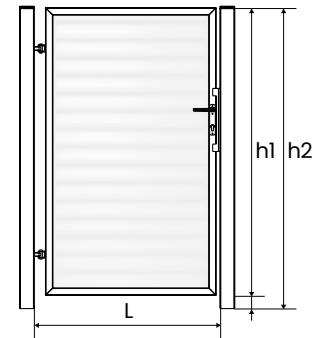
a	b	c	d
5	920	9	4
6	1120	11	5
7	1320	13	6
8	1520	15	7
9	1720	17	8

Fence gate & walk door infill

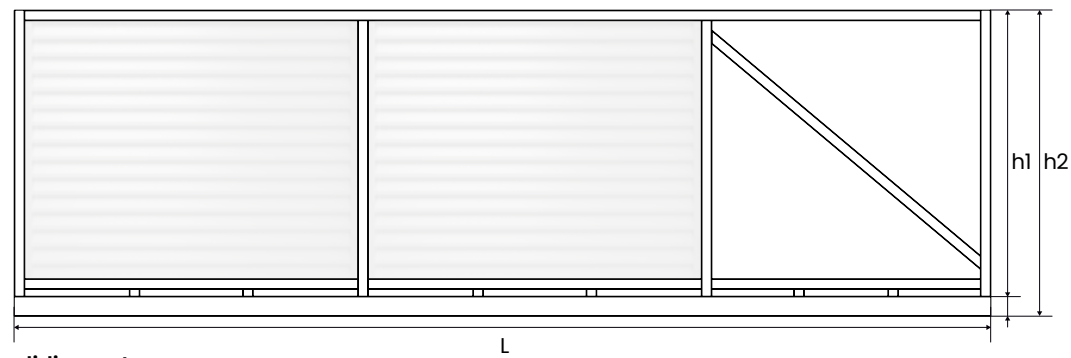
The **Valor**® fencing system allows installing its slats to fill in driveway gates and walk doors. The louvre slats can have the spacing adjusted within 11 mm. This way they are easy to fit most standard sizes of gate and walk door panels. The palisade slat spacing can be adjusted as required. The slats can be ordered in a custom length to match the panel width.



double gate

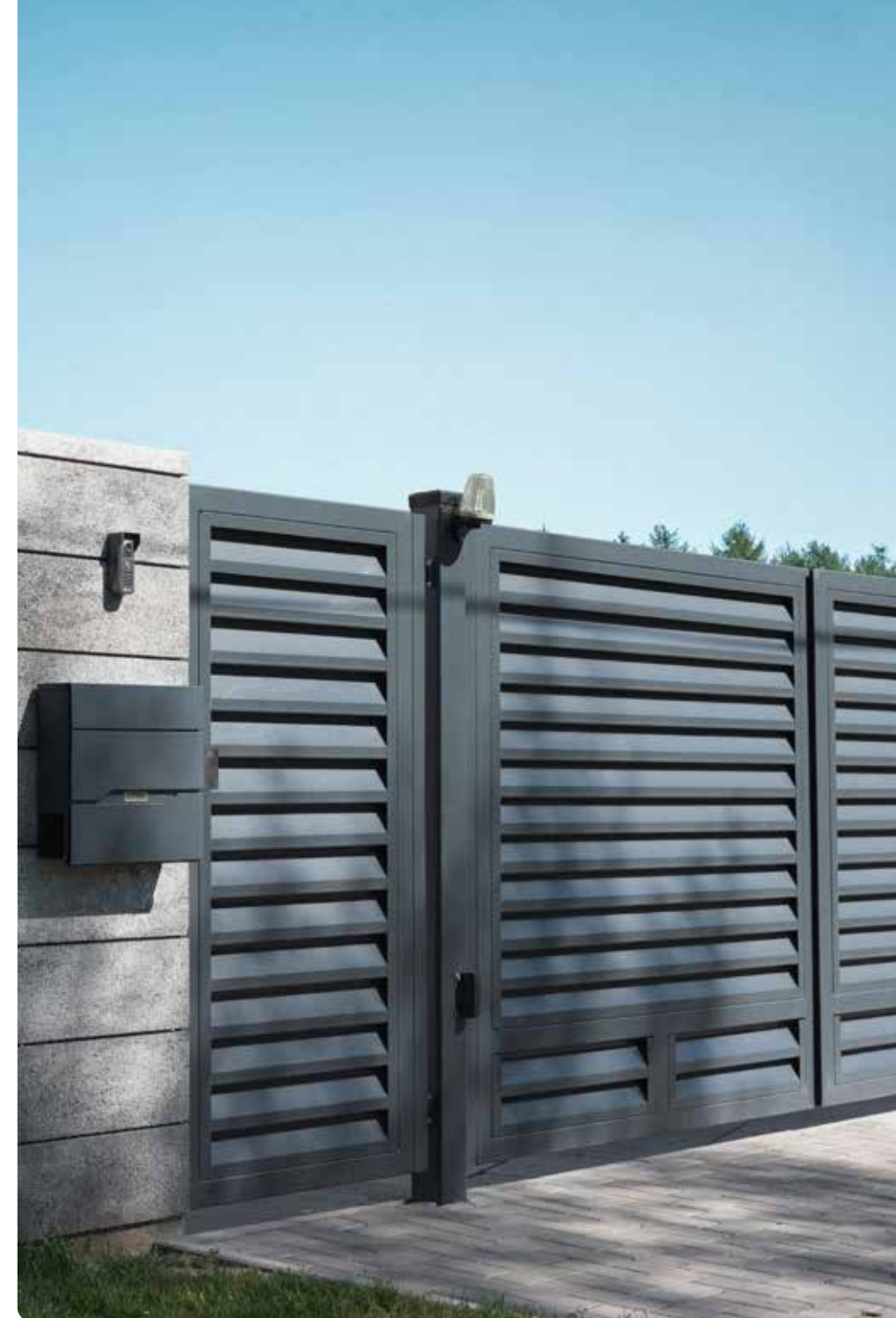


walk door



sliding gate

h1 - gate leaf height | h2 - min. fence height | L - post spacing



The **Valor**® fencing system is a comprehensive solution for installing panels to fence off a property, as well as filling in driveway gates and walk doors. It is for everyone who seek comfort and security. The system provides a consistent look and feel with convenience of use for many years.

*The **Valor**® fencing system is a protected intellectual property of **Hanbud** sp. z o.o.



Úvalor

fencing system
for *smart* builders

HANBUD

www.hanbud.com